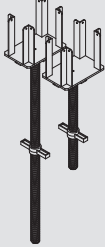

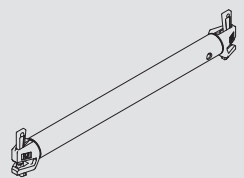



# BRIO Shoring System

## Light, highly versatile shoring system

### Basic components

	WEIGHT (Kg)	ITEM No.
<b>Heads</b>		
Adjustable head 0.5	9.2	2127973
Adjustable head 1	13	2127960
		
<b>Standards</b>		
Standard 1	4.6	2127500
Standard 1.5	7.4	2127501
Standard 2	9	2127502
Standard 3	13.6	2127503
		
<b>Ledgers</b>		
Ledger 0.7	3.2	2127522
Ledger 1.02	4.4	2127523
Ledger 1.5	6	2127524
Ledger 2	7.6	2127525
Ledger 2.5	9.4	2127526
Ledger 3	11.6	2127527
		

	WEIGHT (Kg)	ITEM No.
<b>Diagonal braces</b>		
Diagonal brace 0.7 x 2	7.2	2127540
Diagonal brace 1.02 x 2	8.7	2127541
Diagonal brace 1.5 x 2	10.2	2127617
Diagonal brace 2 x 2	11.8	2127542
Diagonal brace 2.5 x 2	13	2127618
Diagonal brace 3 x 2	14.2	2127543
		
<b>Jacks</b>		
Adjustable base 0.5	4.3	2124902
Adjustable base 1	7.6	2124907
