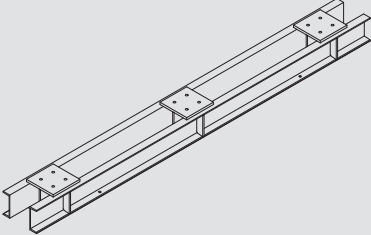
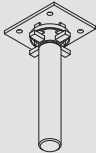
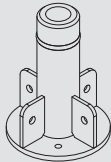
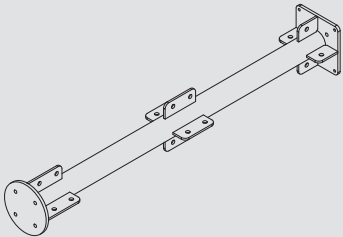
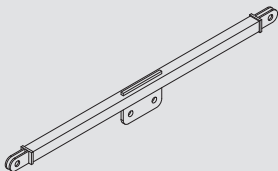
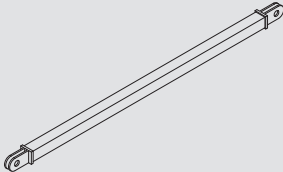
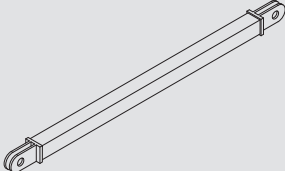
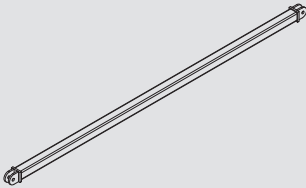
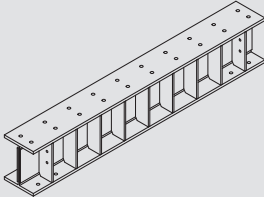
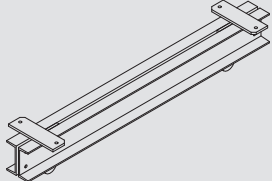
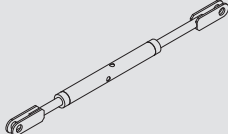


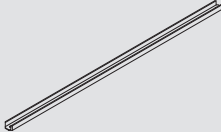
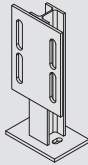
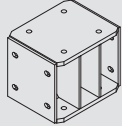
T-500 Shoring System

High load capacity shoring system

Basic components

	WEIGHT (Kg)	ITEM No.
Base profile		
2 x 3 DU-300/7	1076	0005001
2 x 2 DU-300/5	784	0005005
2 x 1 DU-300/3	492	0005006
		
Head screw jack TR 95 x 6	43.7	0005100
		
Head post	60	0005101
		
Posts		
Post L1500	145	0005115
Post L2750	222	0005127
Post L4000	300	0005140
Post L300	72	0005185
Post L600	101	0005195
		
Brace		
MOD-2	18.6	0005220
MOD-3	28.8	0005223
		

	WEIGHT (Kg)	ITEM No.
Base brace		
MOD-2	13.1	0005221
MOD-3	23.4	0005224
		
Braces		
Vertical MOD-2	10	0005222
Vertical MOD-3	14.5	0005225
		
Horizontal 2 x 2	17.4	0005322
Horizontal 2 x 3	22.7	0005323
		
Head beam HEB-400/2.4	581	0005055
		
Beam brace DU-200/1.9	115	0005056
		
Head pipe brace TR35 x 5	15.8	0005054
		

	WEIGHT (Kg)	ITEM No.
Head bracing UPN-80/2.4	21.8	0005057
		
Dismantling wedge post H100/0.6	26	0005065
		
Dismantling wedge support H100/0.38	66	0005064
		
Wedge jack		
50T	28	0262050
100T	53	0262051
