
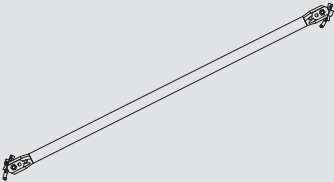
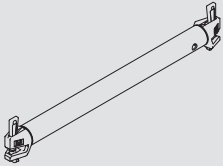
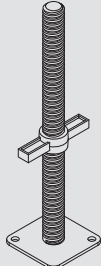
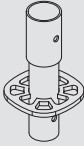
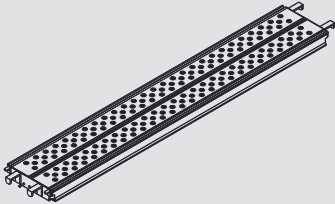
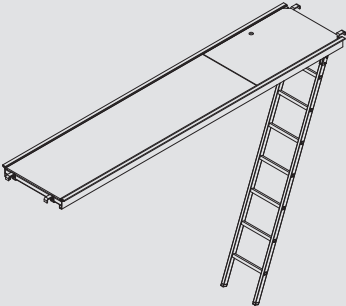


BRIO Modular Scaffolding

A highly flexible scaffolding for multiple applications

Basic components

	WEIGHT (kg)	ITEM No.
Standard		
Standard 1	4.6	2127500
Standard 1.5	7.4	2127501
Standard 2	9	2127502
Standard 3	13.6	2127503
Standard 4	18	2127956
		
Diagonal braces		
Diagonal brace 0.7 x 2	7.2	2127540
Diagonal brace 1.02 x 2	8.7	2127541
Diagonal brace 1.5 x 2	10.2	2127617
Diagonal brace 2 x 2	11.8	2127542
Diagonal brace 2.5 x 2	13	2127618
Diagonal brace 3 x 2	14.2	2127543
		
Ledgers		
Ledger 0.7	3.2	2127522
Ledger 1.02	4.4	2127523
Ledger 1.5	6	2127524
Ledger 2	7.6	2127525
Ledger 2.5	9.4	2127526
Ledger 3	11.6	2127527
		
Jacks		
Adjustable base 0.5	4.3	2124902
Adjustable base 1	7.6	2124907
		

	WEIGHT (kg)	ITEM No.
Base collar		
	1.4	2127510
		
Platforms		
Platform 0.7	6.6	2127718
Platform 1.02	9	2127717
Platform 1.5	12.4	2127716
Platform 2	17	2127715
Platform 2.5	20.2	2127714
Platform 3	22.2	2127713
		
Trapdoor platforms		
Trapdoor platform 1.02	7.9	2129617
Trapdoor platform 1.5	13.5	2128152
Trapdoor platform 2	18.6	2127868
Trapdoor platform 2.5	25.8	2127867
Trapdoor platform 3	31	2127712
		
Toe boards		
Toe board 0.7	2.6	2124998
Toe board 1.02	3.2	2124999
Toe board 1.5	4.2	2124994
Toe board 2	5.2	2124995
Toe board 2.5	6	2124996
Toe board 3	6.8	2124997
