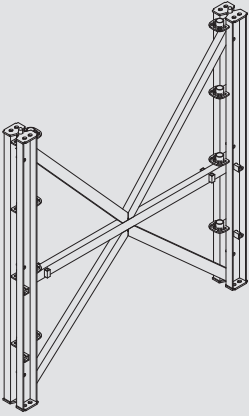
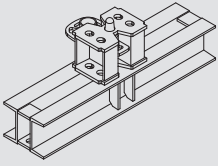
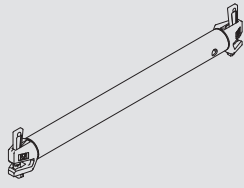
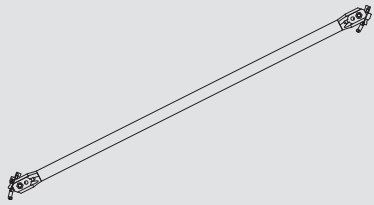
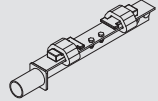
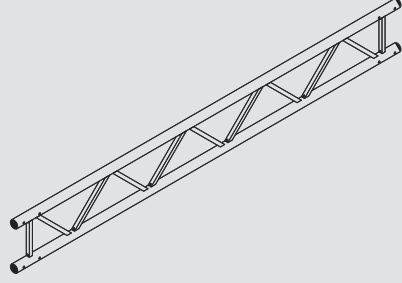


BRIO ST Façade Support

Robust and safe to erect

Basic components

	WEIGHT (kg)	ITEM No.
Frame ST	151	2121000
		
Support ST	27.7	2121001
		
Ledgers		
Ledger 1.02	4.4	2127523
Ledger 1.5	6	2127524
Ledger 2	7.6	2127525
Ledger 2.5	9.4	2127526
Ledger 3	11.6	2127527
		
Diagonal braces		
Diagonal brace 0.7 x 2	7.2	2127540
Diagonal brace 1.02 x 2	8.7	2127541
Diagonal brace 1.5 x 2	10.2	2127617
Diagonal brace 2 x 2	11.8	2127542
Diagonal brace 2.5 x 2	13	2127618
Diagonal brace 3 x 2	14.2	2127543
		
Tie locking ST	3.9	2121070
		

	WEIGHT (kg)	ITEM No.
Beams		
ST 2.5	13.8	2121060
ST 3.5	19.2	2121061
ST 4.5	24.7	2121062
ST 5.5	30.1	2121063
		
Guardrail ST	5.1	2121004
