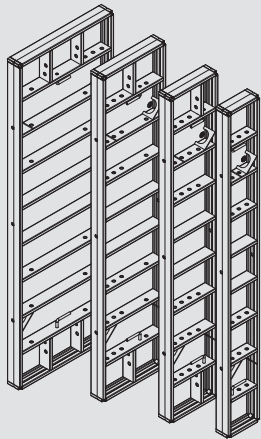


NEVI Modular Formwork

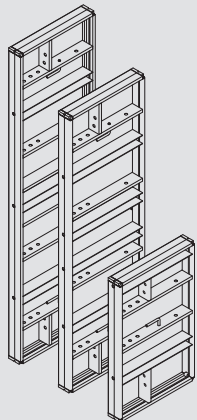
The perfect balance of strength and handset

Basic components

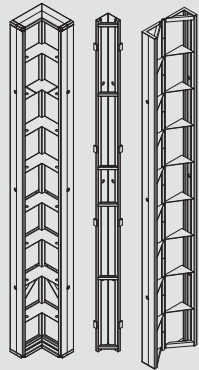
	WEIGHT (kg)	ITEM No.
NEVI Panel		
2.7 x 0.9 (2.43 m ²)	86	1920645
2.7 x 0.6 (1.62 m ²)	64	1920651
2.7 x 0.45 (1.21 m ²)	55	1920654
2.7 x 0.3 (0.81 m ²)	42.9	1920657
2.4 x 0.9 (2.16 m ²)	77	1920646
2.4 x 0.6 (1.44 m ²)	58	1920652
2.4 x 0.45 (1.08 m ²)	49.2	1920655
2.4 x 0.3 (0.72 m ²)	38.5	1920658
1.2 x 0.9 (1.08 m ²)	43.5	1920647
1.2 x 0.6 (0.72 m ²)	32.2	1920653
1.2 x 0.45 (0.54 m ²)	27.4	1920656
1.2 x 0.3 (0.36 m ²)	20.7	1920659



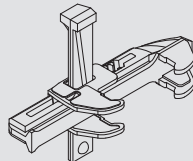
NEVI Universal panel		
2.7 x 0.75	85	1920648
2.4 x 0.75	72	1920649
1.2 x 0.75	42.4	1920650



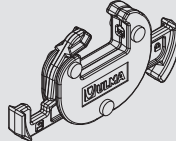
	WEIGHT (kg)	ITEM No.
Corner		
Inside NEVI 2.7	57	1920881
Inside NEVI 2.4	52	1920887
Inside NEVI 1.2	28	1920893
Outside NEVI 2.7	29.3	1920930
Outside NEVI 2.4	26	1920932
Outside NEVI 1.2	13.1	1920935
Hinged NEVI 2.7	41.4	1920943
Hinged NEVI 2.4	37	1920947
Hinged NEVI 1.2	19.2	1920951



NEVI Clamp	3.1	1920851
-------------------	-----	---------



MEGALITE Clamp	1.4	1920818
-----------------------	-----	---------



NEVI Lifting hook	8	1920835
--------------------------	---	---------

