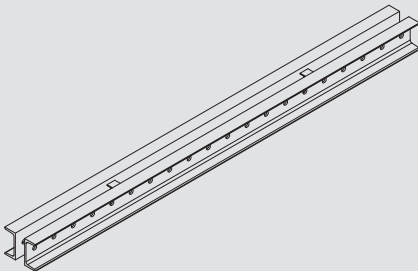
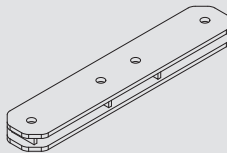
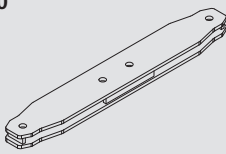
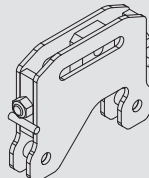
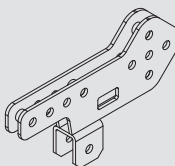
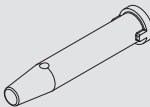
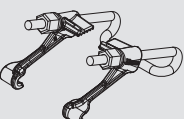
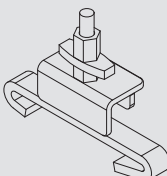
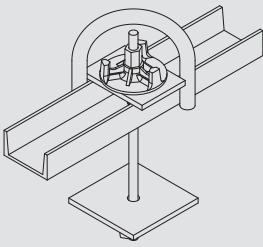

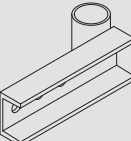


ENKOFORM H-120 Formwork

The flexible horizontal formwork for bridge decks

Basic components

	WEIGHT (kg)	ITEM No.
Walers		
DU-120 1	26.5	0111100
DU-120 1.5	39.7	0111150
DU-120 2	53	0111200
DU-120 2.5	66	0111250
DU-120 3	79	0111300
DU-120 3.5	93	0111350
DU-120 4	106	0111400
DU-120 4.5	119	0111450
DU-120 5	133	0111500
DU-120 6	159	0111600
		
Waler connector U/R-120/600	10.1	0120601
		
Dismantling waler connector U/R-120	13.5	1960221
		
Bottom adjustable joint	7.9	1960080
		
Wing joint	7.2	1960095
		

	WEIGHT (kg)	ITEM No.
Pin E20 x 70	0.28	0252070
		
Waler-VM20 clamp 2T	0.81	1960375
		
Waler-VM20 angular clamp	1.3	1960345
		
Lifting bracket H-120	12.4	0263005
		
Handrail post 1.50	9.6	2211156
		
Handrail socket D50	2.9	0121004
		

	WEIGHT (kg)	ITEM No.
Push-pull props		
E 0.51-0.75	10.6	1960210
E 0.75-1.05	14.1	1960100
E 1-1.55	18.8	1960110
E 1.51-2.2	24.1	1960115
E 2.15-2.75	33.4	1960130
E 2.7-3.3	38.1	1960125
E 3.25-4	45	1960410
V 27-33	7.6	1960135
V 32.5-43	8.6	1960140
V 42-53	15.4	1960195
V 52-70	13	1960235
V 69-90	15	1960240
V 89-110	22.9	1960245
