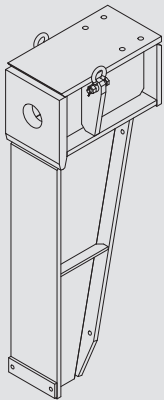
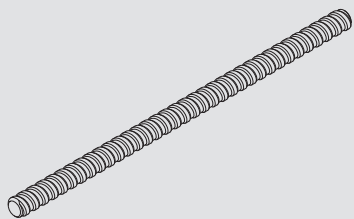

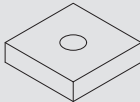
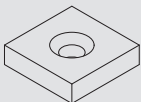

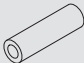
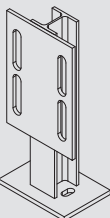
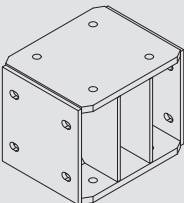
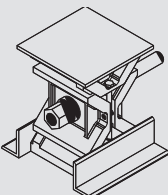


# MT Gantry Bracket

## The support for beams on piers

### Basic components

	WEIGHT (kg)	ITEM No.
Gantry Bracket MT 800	542	0005150
		
Two-way cone MT 800	57	0005160
		
Washer gantry bracket MT 800	4.5	0005155
		
Tie rod DW36/6	49.6	0233600
		
Nut DW36 60X110	1.6	0233000
		
Base plate DW36 (180 x 180 x 45)	10.8	0233001
		

	WEIGHT (kg)	ITEM No.
Domed plate DW36 (180 x 180 x 45)	11	0233003
		
Domed nut DW36	1.5	0233002
		
Round coupler DW36 D68 x 210	4.2	0233004
		
Wedge jack post H100/0.6	26	0005065
		
Wedge jack support H300/0.38	66	0005064
		
Wedge jack 50T	28	0262050
		
Wedge jack 100T	53	0262051
